



**HYDRAULIC  
FILTRATION**

# FA-1 series

Spin-on filters



## Technical Information

Housing

**Pressure: Max working** 12 bar (175 psi) (acc. to NFPA T 3.10.17)  
**Burst** 20 bar (290 psi) (acc. to NFPA T 3.10.17)

**Connection Ports:** 3/4" ÷ 1 1/2" BSP (other thread options on request)

**Materials:** Head: aluminium alloy  
Bowl: steel  
Seal: Buna-N

**By-pass:** Suction line 0,25 bar (3.6 psi) setting  
Return line 1,7 bar (24.6 psi) setting

Element

**Filter Media:** Microglass fiber 4,5 - 7 - 12 - 27  $\mu\text{m}_{(c)}$  (acc. to ISO 16889)  
Cellulose 10 - 25  $\mu\text{m}_{(c)}$  (acc. to ISO 16889)  
Wire mesh 60 - 125  $\mu\text{m}$

**Differential collapse pressure:** 4 bar (58 psi) (acc. to ISO 2941)

Filtrec elements are tested also according to ISO 2942, ISO 23181 and ISO 3968

Common

**Working temperature:** -25°C +120°C (-13°F +248°F)

**Fluid compatibility** (acc. to ISO 2943):

Full with HH-HL-HM-HV (acc. to ISO 6743/4).

For use with other fluid applications please contact Filtrec Customer Service (info@filtrec.it).

## Ordering information



**SUCTION** (n.b. for return & inline see page 6)  
**LINE**

MEDIA	
000	no element
C10	cellulose $\beta_{10 \mu\text{m (c)}} \geq 2$
C25	cellulose $\beta_{25 \mu\text{m (c)}} \geq 2$
G10	microglass fiber $\beta_{12 \mu\text{m (c)}} \geq 1000$
G25	microglass fiber $\beta_{27 \mu\text{m (c)}} \geq 1000$
T60	wire mesh 60 $\mu\text{m}$
T125	wire mesh 125 $\mu\text{m}$

	NOMINAL SIZE	MEDIA	SEALS	CONNECTION	BY-PASS	INDICATOR
<b>Filter assembly</b> <b>FA-1</b>	<b>31</b>	<b>C10</b>	<b>B</b>	<b>B7</b>	<b>S</b>	<b>S1</b>

<b>Filter element</b> <b>A1</b>	<b>21</b>	<b>C10</b>				
------------------------------------	-----------	------------	--	--	--	--

### ELEMENT

FA-1-1x	A1-1x (1 pc.)
FA-1-2x	A1-2x (1 pc.)
FA-1-3x	A1-2x (2 pc.)
FA-1-4x	A1-2x (2 pc.)

### SEALS

<b>B</b>	NBR
----------	-----

### CONNECTION

B4	3/4" BSP (size 10-11)
B6	1 1/4" BSP (size 20-21)
B7	1 1/2" BSP (size 30-41)

For different thread options please check availability with Filtrac Customer Service.

### BY-PASS

0	no by-pass
S	0,25 bar / 3,6 psi

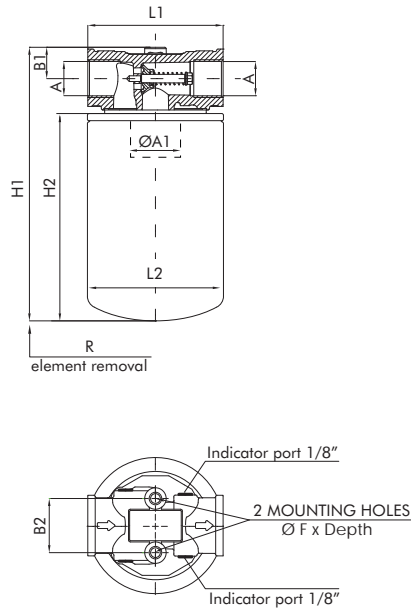
### Preferential option

### INDICATOR

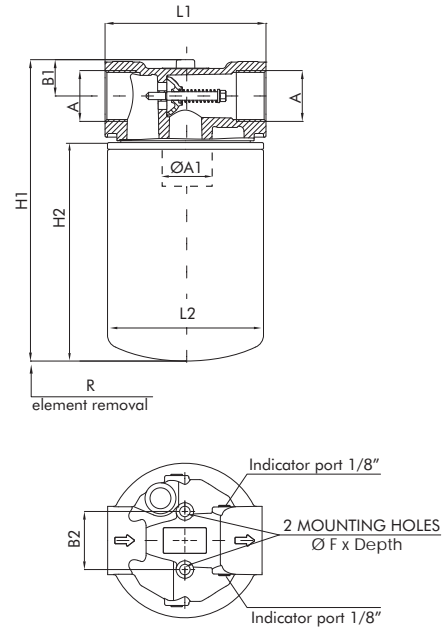
00	no indicator
R7	pressure/vacuum gauge -1 ÷ 5 bar / -14,5 ÷ 72,5 psi
<b>S1</b>	vacuum gauge indicator scale 0 ÷ -1 bar / 0 ÷ -14,5 psi
<b>S2</b>	electric vacuum switch -0,2 bar / -2,9 psi N.O.
S3	electric vacuum switch -0,2 bar / -2,9 psi N.C.
S4	visual vacuum switch -0,2 bar / -2,9 psi

# Overall dimensions

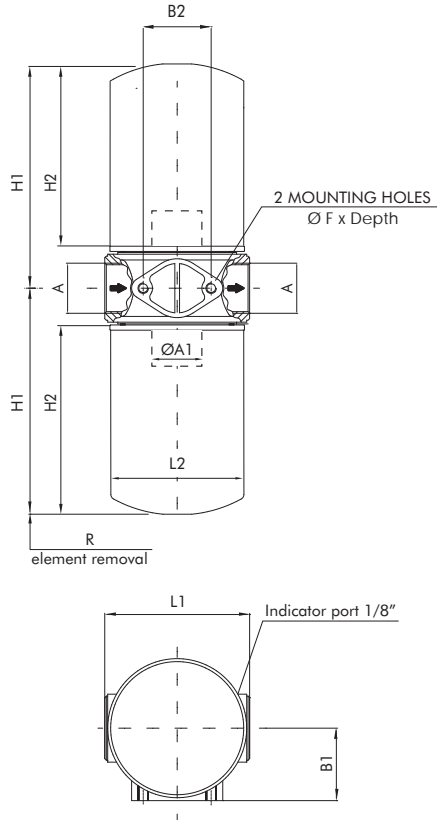
**FA-1-10/11**



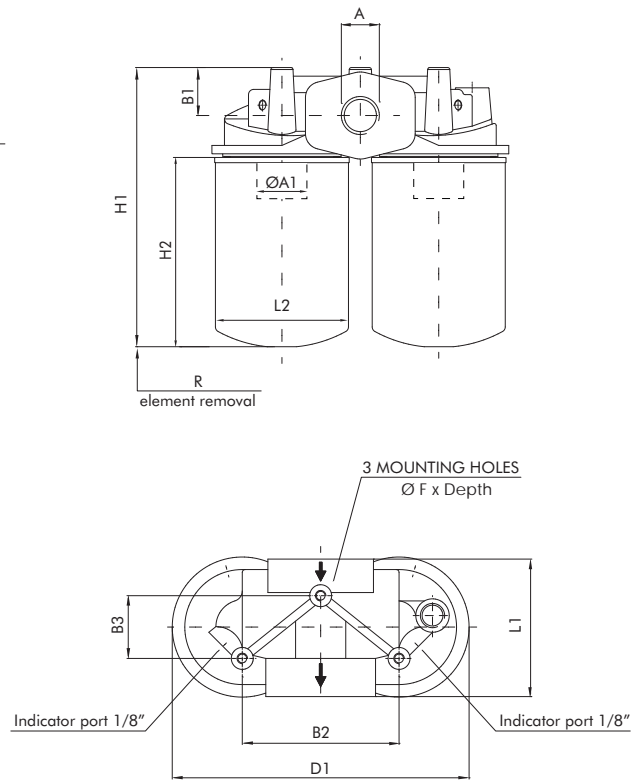
**FA-1-20/21**



**FA-1-30/31**



**FA-1-40/41**



## Nominal size

CODE	A	B1	B2	B3	D1	F	H1	L1	R	WEIGHT	ELEMENT	H2	A1	L2
FA-1-10	3/4" BSP	22	38	---	---	M8x15	192	95	20	1,3 Kg	A-1-10	148	3/4" BSP	96
FA-1-11							257			1,5 Kg	A-1-11	213		96
FA-1-20	1 1/4" BSP	30	50	---	---		249	133	40	1,9 Kg	A-1-20	182	1 1/4" BSP	128
FA-1-21							295			2,2 Kg	A-1-21	228		128
FA-1-30	1 1/2" BSP	70	65	---	---	M10x15	218	140	40	3,6 Kg	2x A-1-20	---	---	---
FA-1-31							262			3,8 Kg	2x A-1-21			
FA-1-40	1 1/2" BSP	46	150	60	284		267	132	40	5,0 Kg	2x A-1-20			
FA-1-41							313			5,2 Kg	2x A-1-21			

For different thread options please contact Filtrac Customer Service.

FA-1 series

## Pressure drop diagrams

The total Pressure Drop ( $\Delta p$ ) value is obtained by adding the  $\Delta p$  values of filter housing and filter element at the given flow rate. This ideally should not exceed 0,2 bar (2,9psi).

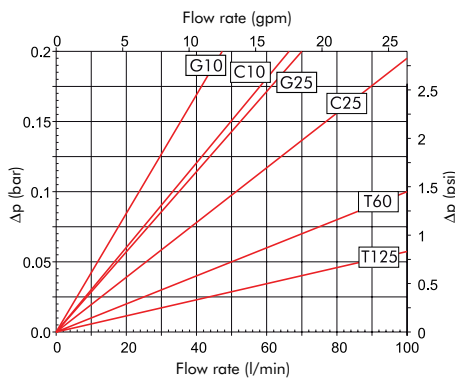
### PRESSURE DROP THROUGH THE FILTER HOUSING

The Pressure Drop through the filter housing is governed by the port, not the bowl length and the oil viscosity.

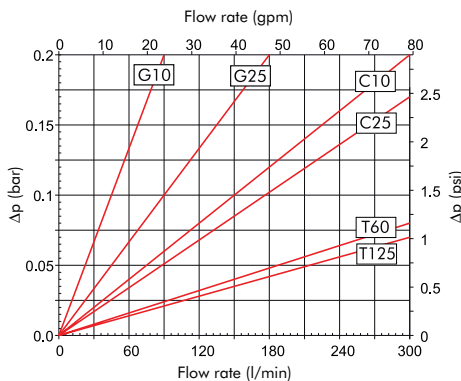
### PRESSURE DROP THROUGH THE CLEAN FILTER ELEMENT

The Pressure Drop through the filter element is related both to the internal diameter of the filter element and to the filter media; this value is affected by the oil viscosity in a roughly proportional way: e.g. when the  $\Delta p$  value from the curve is 0,1 bar and a 46 cSt oil is used, the corresponding value is 0,15 (=0,1 x 46/30) bar.

#### Element A-1-10-..



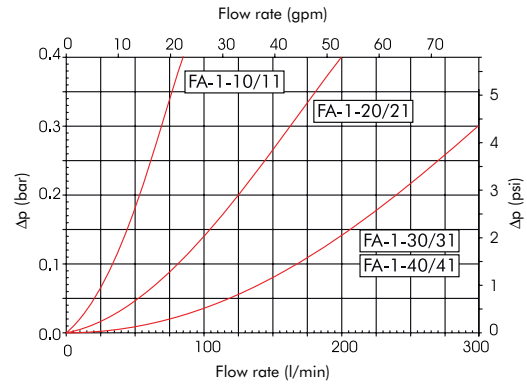
#### Element A-1-20-..



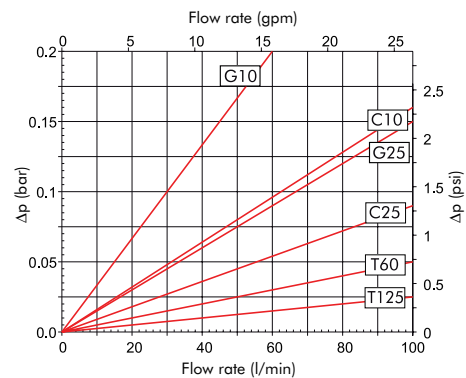
### PRESSURE DROP THROUGH THE BY-PASS VALVE

The by-pass valve is a safety device to prevent element collapse in case of differential pressure peaks due to flow peaks, cold start conditions or when the clogged element is not replaced in a timely manner.

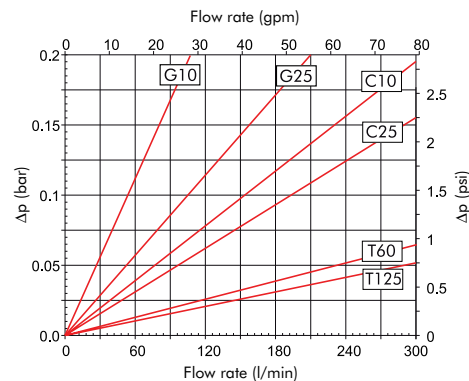
#### Housing



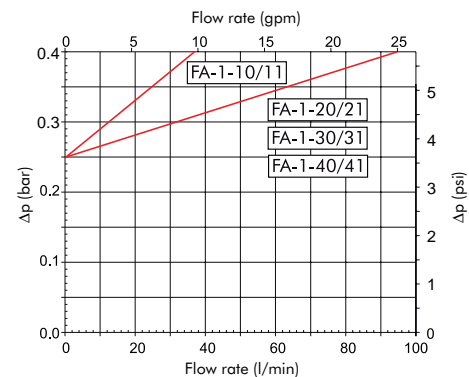
#### Element A-1-11-..



#### Element A-1-21-..



#### By-pass



The above diagrams have been obtained at the FILTREC laboratory, according to the ISO 3968 specification, with mineral oil having 30 cSt viscosity and 0,86 Kg/dm<sup>3</sup> density.

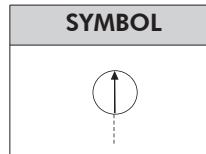
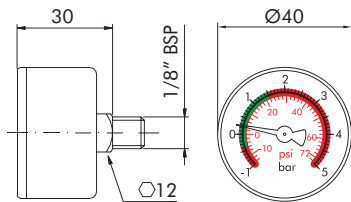
In case of discrepancy, please check contamination level, viscosity and features of the oil in use and the sampling points of the differential pressure.

## Clogging indicator

The Pressure Drop ( $\Delta p$ ) through the filter increases during the system operation due to the contaminant retained by the filter element.  
The filter element must be replaced when the indicator shows an alarm and before the  $\Delta p$  reaches the by-pass value setting.

N.B. in cold start conditions a false alarm can be caused by higher oil viscosity due to low temperature; the indicator alarm must be considered at normal working temperature only.

### PRESSURE/ VACUUM GAUGE

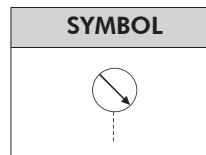
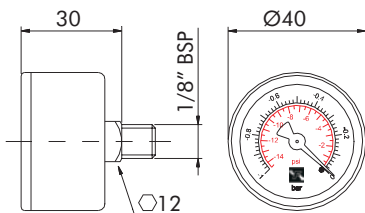


CODE	SCALE
R7	0 ÷ -0,2 bar (0 ÷ -2,9 psi) green sector
	-0,2 ÷ -1 bar (-2,9 ÷ -14,5 psi) red sector

Housing in black ABS material

Multipurpose product: this gauge can also be used as pressure gauge on return filters.

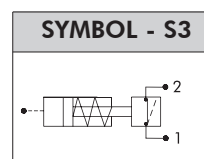
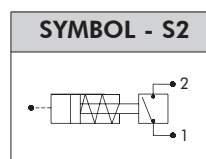
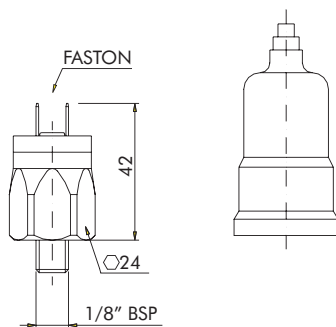
### VACUUM GAUGE



CODE	SCALE
S1	0 ÷ -1 bar (0 ÷ -14,5 psi)

Housing in black ABS material

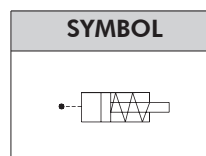
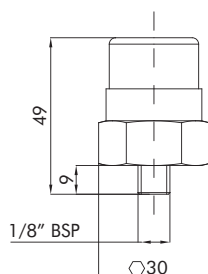
### ELECTRIC VACUUM SWITCH



CODE	SETTING
S2	-0,2 bar (-2,9 psi) NO.
S3	-0,2 bar (-2,9 psi) N.C.

- Current: 0,5 A resistive/ 0,2 A inductive
- Max voltage: 30-48 V DC
- Protection: IP54 as per DIN 40050

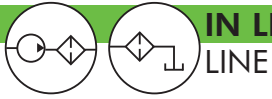
### VISUAL VACUUM SWITCH



CODE	SETTING
S4	-0,2 bar (-2,9 psi)

 Preferential option

# Ordering information



**IN LINE / RETURN** (n.b. for suction see page 2)

MEDIA	
000	no element
G03	microglass fiber $\beta_{4,5 \mu m (c)} \geq 1000$
G06	microglass fiber $\beta_{7 \mu m (c)} \geq 1000$
G10	microglass fiber $\beta_{12 \mu m (c)} \geq 1000$
G25	microglass fiber $\beta_{27 \mu m (c)} \geq 1000$
C10	cellulose $\beta_{10 \mu m (c)} \geq 2$
C25	cellulose $\beta_{25 \mu m (c)} \geq 2$

	NOMINAL SIZE	MEDIA	SEALS	CONNECTION	BY-PASS	INDICATOR
<b>Filter assembly</b> <b>FA-1</b>	<b>31</b>	<b>C10</b>	<b>B</b>	<b>B7</b>	<b>R</b>	<b>R2</b>
<b>Filter element</b> <b>A1</b>	<b>21</b>	<b>C10</b>				

ELEMENT	
FA-1-1x	A1-1x (1 pc.)
FA-1-2x	A1-2x (1 pc.)
FA-1-3x	A1-2x (2 pc.)
FA-1-4x	A1-2x (2 pc.)

SEALS	
B	NBR

CONNECTION	
B4	3/4" BSP (size 10-11)
B6	1 1/4" BSP (size 20-21)
B7	1 1/2" BSP (size 30-41)

For different thread options, please check availability with Filtrac Customer Service.

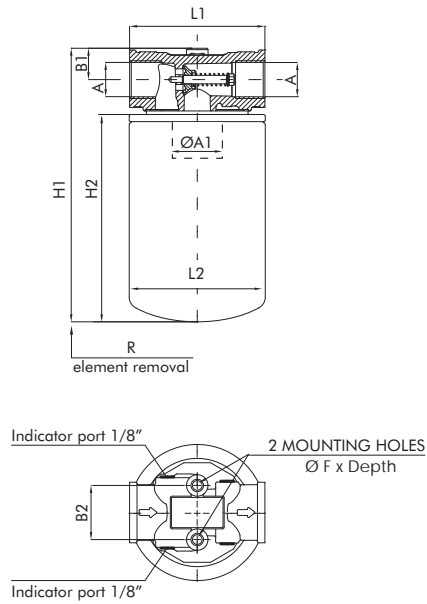
BY-PASS	
0	no by-pass
R	1,7 bar / 24,6 psi

	Preferential option	Return	In line	INDICATOR
	00			no indicator
	<b>R2</b>			pressure switch 1,3 bar N.O. / 18,9 psi
	R3			pressure switch 1,3 bar N.C. / 18,9psi
	R6			visual pressure switch 1,3 bar / 18,9 psi
	R7			pressure/vacuum gauge -1 ÷ 5 bar / -14,5 ÷ 72,5 psi
	<b>R9</b>			pressure gauge 0 ÷ 4 bar / 0 ÷ 58 psi
	<b>R12</b>			pressure gauge indicator scale 0 ÷ 16 bar / 0 ÷ 232 psi
For FA-1-3x only	Z1			differential visual indicator 1,3 bar / 18,9 psi
	Z2			differential electric visual indicator 1,3 bar / 18,9 psi
For FA-1-4x only	Z41			differential visual indicator 1,3 bar / 18,9 psi
	Z39			differential electric visual indicator 1,3 bar / 18,9 psi

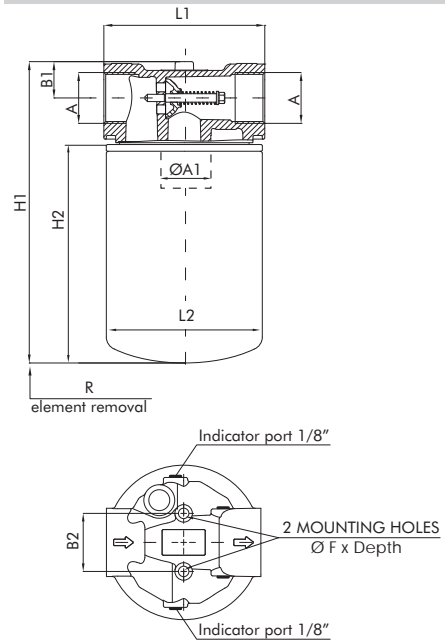
FA-1 series

# Overall dimensions

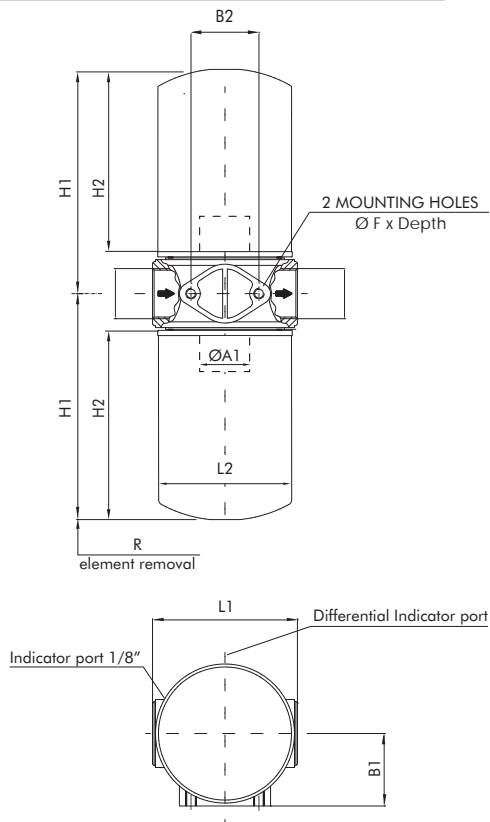
**FA-1-10/11**



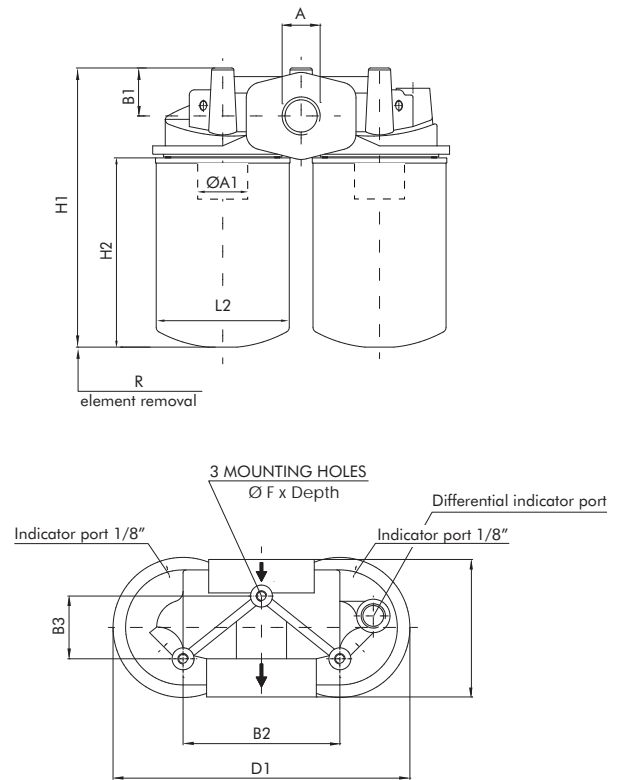
**FA-1-20/21**



**FA-1-30/31**



**FA-1-40/41**



## Nominal size

CODE	A	B1	B2	B3	D1	F	H1	L1	R	WEIGHT	ELEMENT	H2	A1	L2
FA-1-10	3/4" BSP	22	38	---	---	M8x15	192	95	20	1,3 Kg	A-1-10	148	3/4" BSP	96
257							1,5 Kg			A-1-11	213	96		
FA-1-20	1 1/4" BSP	30	50	---	---		249	133	40	1,9 Kg	A-1-20	182	1 1/4" BSP	128
295							2,2 Kg			A-1-21	228	128		
FA-1-30	1 1/2" BSP	70	65	---	---	M10x15	218	140	40	3,6 Kg	2x A-1-20	---	---	---
FA-1-31							262			3,8 Kg	2x A-1-21			
FA-1-40	1 1/2" BSP	46	150	60	284		267	132		5,0 Kg	2x A-1-20			
FA-1-41							313			5,2 Kg	2x A-1-21			

For different thread options please contact Filtrac Customer Service.

FA-1 series

## Pressure drop diagrams

The total Pressure Drop ( $\Delta p$ ) value is obtained by adding the  $\Delta p$  values of filter housing and filter element at the given flow rate. This ideally should not exceed 0,5 bar (7,2psi).

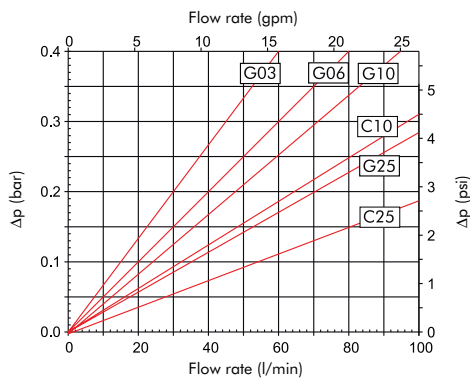
### PRESSURE DROP THROUGH THE FILTER HOUSING

The Pressure Drop through the filter housing is governed by the port, not the bowl length and the oil viscosity.

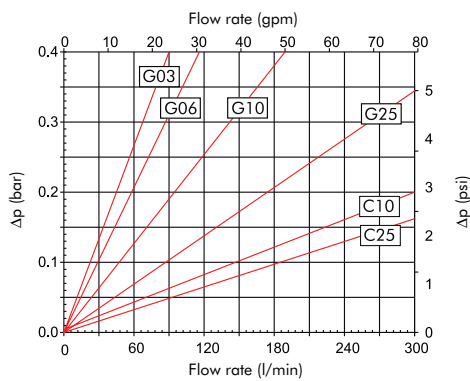
### PRESSURE DROP THROUGH THE CLEAN FILTER ELEMENT

The Pressure Drop through the filter element is related both to the internal diameter of the filter element and to the filter media; this value is affected by the oil viscosity in a roughly proportional way: e.g. when the  $\Delta p$  value from the curve is 0,2 bar and a 46 cSt oil is used, the corresponding value is  $0,31 (= 0,2 \times 46/30)$  bar.

#### Element A-1-10-..



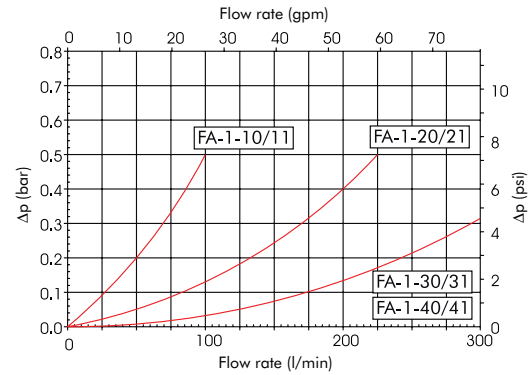
#### Element A-1-20-..



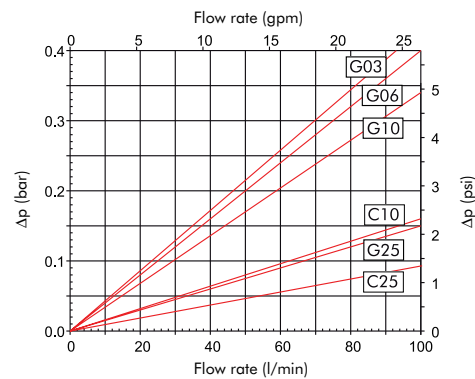
### PRESSURE DROP THROUGH THE BY-PASS VALVE

The by-pass valve is a safety device to prevent element collapse in case of differential pressure peaks due to flow peaks, cold start conditions or when the clogged element is not replaced in a timely manner.

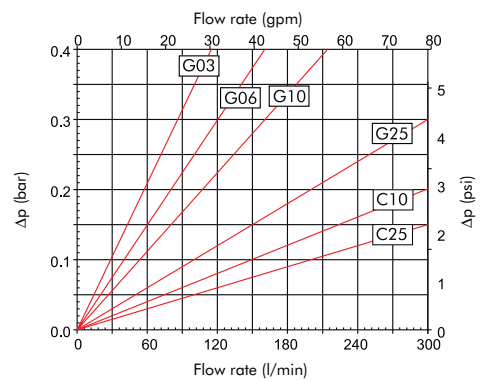
#### Housing



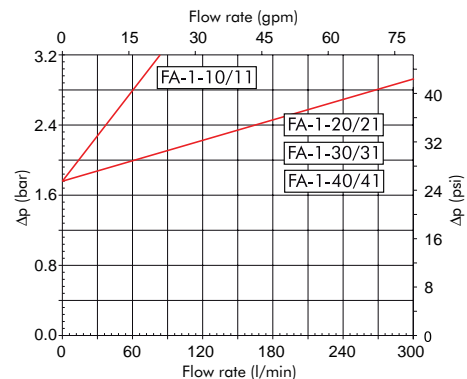
#### Element A-1-11-..



#### Element A-1-21-..



#### By-pass



The above diagrams have been obtained at the FILTREC laboratory, according to the ISO 3968 specification, with mineral oil having 30 cSt viscosity and 0,86 Kg/dm<sup>3</sup> density.

In case of discrepancy, please check contamination level, viscosity and features of the oil in use and the sampling points of the differential pressure.



## Clogging indicator

The Pressure Drop ( $\Delta p$ ) through the filter increases during the system operation due to the contaminant retained by the filter element.

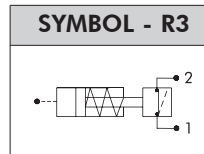
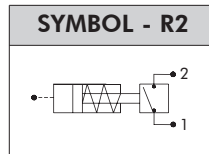
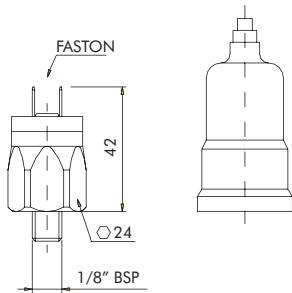
The filter element must be replaced when the indicator shows an alarm and before the  $\Delta p$  reaches the by-pass value setting.

N.B. in cold start conditions a false alarm can be caused by higher oil viscosity due to low temperature; the indicator alarm must be considered at normal working temperature only.

The clogging indicator registers the pressure upstream the filter element:

- with the VISUAL indicator a value higher than 1,3 bar indicates the need of element replacement.
- with the ELECTRIC indicator an electrical switch is activated when the set value 1,3 bar is reached.

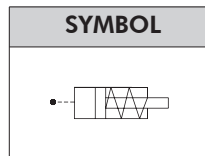
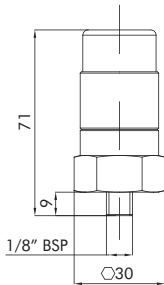
### PRESSURE SWITCH



CODE	SETTING
R2	1,3 bar (18,9 psi) N.O.
R3	1,3 bar (18,9 psi) N.C.

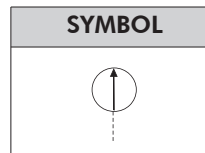
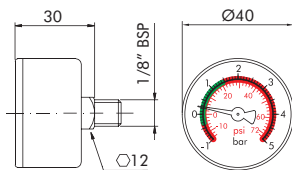
- Current: 0,5 A resistive/ 0,2 A inductive
- Max voltage: 30-48 V DC
- Protection: IP54 as per DIN 40050

### VISUAL PRESSURE GAUGE



CODE	SETTING
R6	1,3 bar (18,9 psi)

### PRESSURE/ VACUUM GAUGE

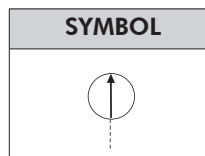
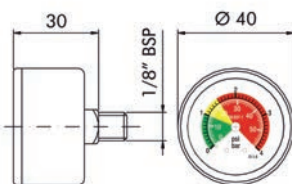


CODE	SCALE
R7	0 ÷ 1,4 bar (0 ÷ 20 psi) green sector
	1,4 ÷ 5 bar (20 ÷ 72,5 psi) red sector

Housing in black ABS material

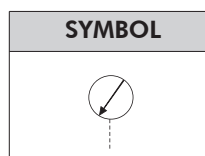
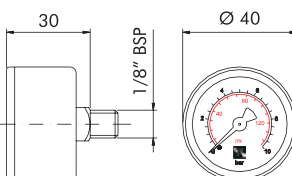
N.B. Multipurpose product: this gauge can also be used as vacuum gauge on suction filters.

### PRESSURE GAUGE



CODE	SETTING
R9	0 ÷ 4 bar (0 ÷ 58 psi)

Housing in black ABS material



CODE	SETTING
R12	0 ÷ 16 bar (0 ÷ 232psi)

Housing in black ABS material

Preferential option

## Clogging indicator

The Pressure Drop ( $\Delta p$ ) through the filter increases during the system operation due to the contaminant retained by the filter element.

The filter element must be replaced when the indicator shows an alarm and before the  $\Delta p$  reaches the by-pass value setting.

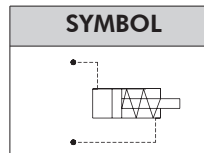
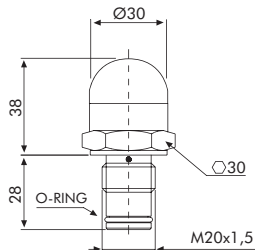
N.B. in cold start conditions a false alarm can be caused by higher oil viscosity due to low temperature; the indicator alarm must be considered at normal working temperature only.

The differential clogging indicator registers the pressure upstream and downstream the filter element and activates a signal when the differential pressure reaches the set value:

- in the VISUAL indicator the signal is given by a green sector switching into red.
- in the ELECTRIC VISUAL indicator, further to the green to red visual indication, an electrical switch is activated.

N.B. the set value of the clogging indicator must always be lower than the set value of the by-pass valve.

### DIFFERENTIAL VISUAL INDICATOR (for FA-1-3x only)

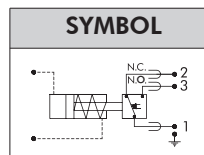
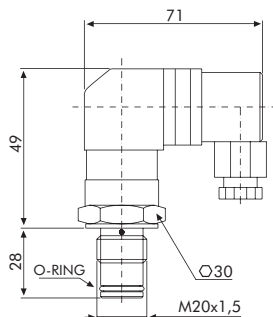


CODE	SETTING
Z1	1,3 bar (18,9 psi)

Visual indicator:

- GREEN: clean element
- RED: dirty element

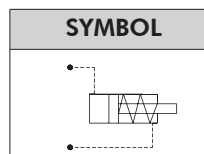
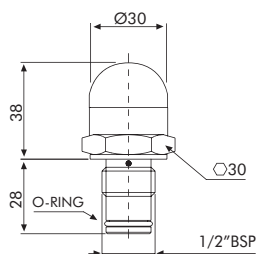
### DIFFERENTIAL ELECTRIC VISUAL INDICATOR (for FA-1-3x only)



CODE	SETTING
Z2	1,3 bar (18,9 psi)

- Visual indicator:
  - GREEN: clean element
  - RED: dirty element
- Electric plug connection as per DIN 43650
- Protection: IP65 secondo DIN 40050
- Max current: 5A resistive 5A inductive
- Max voltage: 250V AC - 30V DC

### DIFFERENTIAL VISUAL SWITCH (for FA-1-4x only)

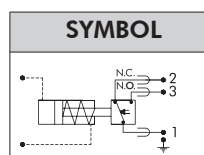
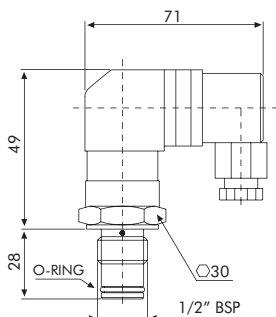


CODE	SETTING
Z41	1,3 bar (18,9psi)

Visual indicator:

- GREEN: clean element
- RED: dirty element

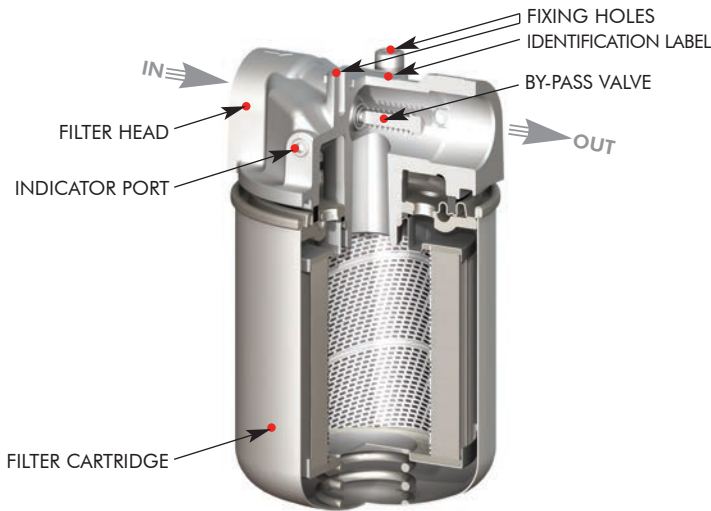
### DIFFERENTIAL ELECTRIC VISUAL SWITCH (for FA-1-4x only)



CODE	SETTING
Z39	1,3 bar (18,9 psi)

- Visual indicator:
  - GREEN: clean element
  - RED: dirty element
- Electric plug connection as per DIN 43650
- Protection: IP65 secondo DIN 40050
- Max current: 5A resistive 5A inductive
- Max voltage: 250V AC - 30V DC

# User Tips



BOWL TIGHTENING TORQUE	
FA-1-xx	3/4 turn

INDICATOR TIGHTENING TORQUE	
R2-R3-R6-R7-R9-R12	30 Nm
S1-S2-S3-S4	
Z1-Z2-Z39-Z41	30 Nm

## Installation

Make sure that the filter is connected in the correct IN-OUT flow direction (shown by an arrow on the filter head).

The filter housing should be preferably mounted with the bowl downward; the filter head should be properly secured using the threaded fixing holes on the filter head; verify that no tension is present on the filter after mounting.

Make sure that enough space is available for element replacement and that the clogging indicator is in a easily viewable position. If an electrical indicator is used, make sure that it is properly wired.

Never run the system without a filter element fitted. We recommend the stocking of a spare FILTREC filter element for timely replacement when required.

## Maintenance

Before unscrewing the cartridge, ensure that the system is switched off and there is no residual pressure in the filter.

Unscrew the cartridge by turning it anticlockwise. Verify the correct part number of the FILTREC replacement cartridge, particularly concerning the micron rating. Ensure that the mounting face is clean, lubricate the gasket of the replacement cartridge prior to assembly. Spin on new cartridge until it reaches the mounting face and tighten for 3/4 turn.

## Operation

Make sure that the filter works within the conditions of pressure, temperature and fluid compatibility given in the first page of this data sheet.

The filter element must be replaced as soon as the clogging indicator signals at working temperature (in cold start conditions, oil temperature lower than 30°C, a false alarm can be given due to oil viscosity).

If no clogging indicator is mounted, make sure that the filter element is replaced according to the system manufacturer's recommendations.

## PED Compliance

FA-1 filters conform to PED 97/23/CE norm, article 3 section 3, and so they can be used with fluids of group 2 (liquids with steam pressure < 0,5 bar at the maximum allowable temperature, article 3, section 1.1(b) – sub-section II).

## WARNING

**Make sure that Personal Protective Equipment (PPE) is worn during installation and maintenance operation.**

## Disposal of filter elements

The used filter elements and the filter parts dirty of oil are classified as "Dangerous waste material": they must be disposed according to the local laws by authorized Companies.



**FA-1 series**

[www.filtrec.com](http://www.filtrec.com)



Technical information may change without notice